



## PRODUCT SPECIFICATION

### Product Name

English Name : GJ Frozen Fish Paste  
Chinese Name : GJ冰冻鱼肉

### Product Brand

Brand : NIL

### Product Descriptions

Colour : Off White Colour  
Shape : Rectangular Block  
General : Uncooked Surimi Paste with Savoury Taste

### Ingredients / Compositions

Surimi [Fish Meat, Sugar, Egg White Powder, Stabilizer (E451i)], Salt, Flavour Enhancer (E621), Stabilizers (E340, E452i, E451i, E450iii).

### Allergen Advice

Contains : Fish and Egg

### Country of Origin

Product of Singapore / Made in Singapore

### Weight / Quantity

Per Piece (+/- 5g) : NIL

### Available Packing Size

Net Weight : 2kg per pkt

### Packaging Type & Materials

Primary Packaging : LLDPE Bag

合利发私人有限公司 HA LI FA PTE LTD  
No. 257 Pandan Loop Singapore 128434 Tel: (65) 6773 6209 Fax: (65) 6774 2010  
Email: sales@halifa-bobo.com Website: www.halifa-bobo.com





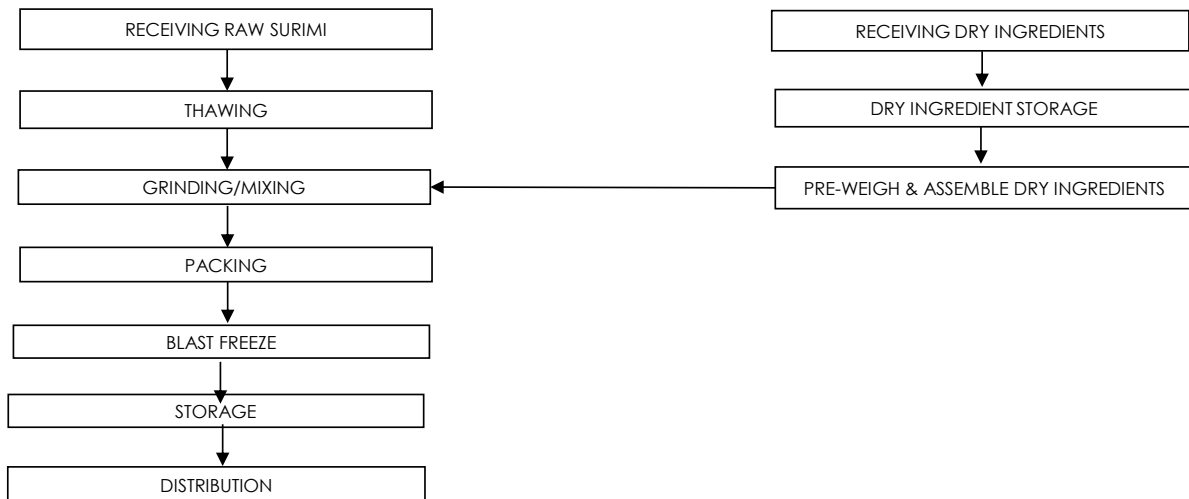
## Storage & Distribution / Shelf Life

Storage & Distribution : Frozen, -18°C and below  
 Shelf Life : 6 months  
 (cook before consumption)

Microbiological Specifications	Tolerance Limits
Aerobic Count (cfu/g)	$< 1.0 \times 10^7$
Escherichia coli (cfu/g)	$< 20$
Staphylococcus aureus (cfu/g)	$< 20$
Salmonella spp	Absent in 25g
Vibrio parahaemolyticus	Absent in 25g

Chemical Specification	Tolerance Limits
Arsenic, As (ppm)	$\leq 1$
Lead, Pb (ppm)	$\leq 2$
Mercury, Hg (ppm)	$\leq 0.5$
Cadmium, Cd (ppm)	$\leq 1$

## Process Flowchart



## Target Consumer

General Public through Retailer

合利发私人有限公司 HA LI FA PTE LTD  
 No. 257 Pandan Loop Singapore 128434 Tel: (65) 6773 6209 Fax: (65) 6774 2010  
 Email: sales@halifa-bobo.com Website: www.halifa-bobo.com

