



PRODUCT SPECIFICATION

Product Name

English Name : Yellowtail Fish Dumpling 10gm
Chinese Name : 黄尾鱼饺

Product Brand

Brand : NIL

Product Descriptions

Colour : Translucent White
Shape : Seashell-like
General : Seasoned Chicken Fillings Wrapped with Surimi-based Skin Dough

Ingredients / Compositions

Surimi [Fish Meat, Sugar, Egg White Powder, Stabilizer (E451i)], Fish Meat, Salt, Flavour Enhancer (E621), Sugar, Sesame Oil, Tapioca Flour, Preservatives (E202).

Allergen Advice

Contains : Fish and Egg

Country of Origin

Product of Singapore / Made in Singapore

Weight / Quantity

Per Piece (+/- 1g) : 9gm

Available Packing Size

Net Weight : 8 pcs x 2pkt/ 16pcs

Packaging Type & Materials

Primary Packaging : Foam Tray with Diwrapper Film

合利发私人有限公司 HA LI FA PTE LTD
No. 257 Pandan Loop Singapore 128434 Tel: (65) 6773 6209 Fax: (65) 6774 2010
Email: sales@halifa-bobo.com Website: www.halifa-bobo.com





Storage & Distribution / Shelf Life

Storage & Distribution : Chilled, 0°C - 4°C
 Shelf Life : 12 Days
 (cook before consumption)

Microbiological Specifications	Tolerance Limits
Aerobic Count (cfu/g)	< 1.0 x 10 ⁷
Escherichia coli (cfu/g)	< 20
Staphylococcus aureus (cfu/g)	< 20
Salmonella spp	Absent in 25gm
Vibrio parahaemolyticus	Absent in 25gm

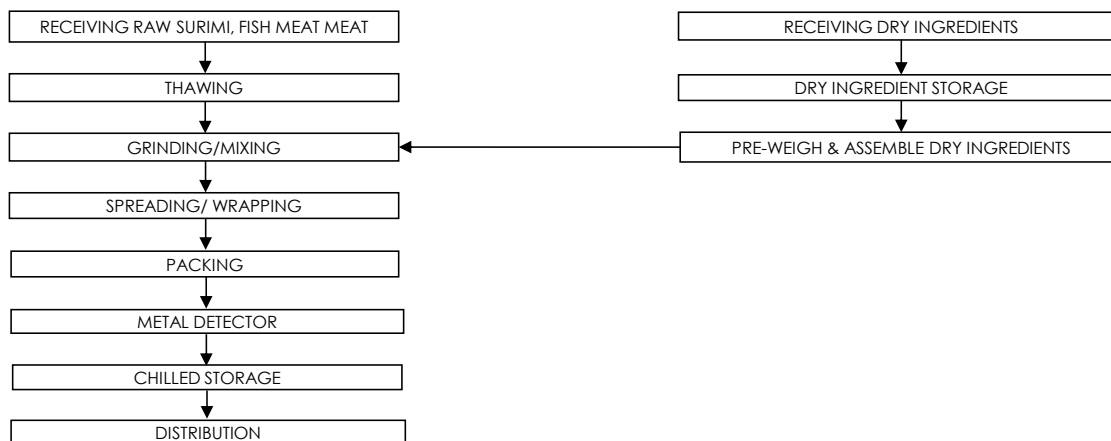
Chemical Specification	Tolerance Limits
Arsenic, As (ppm)	≤ 1
Lead, Pb (ppm)	≤ 2
Mercury, Hg (ppm)	≤ 0.5
Cadmium, Cd (ppm)	≤ 1

Food Safety Characteristic

All packed products passed through a calibrated metal detector

Detection Limits: Ferrous <1.5mm, Non-Ferrous <2.5mm. Stainless Steel <3.0mm

Process Flowchart



Target Consumer

General Public through Retailer and Super/Hypermarket

合利发私人有限公司 HA LI FA PTE LTD
 No. 257 Pandan Loop Singapore 128434 Tel: (65) 6773 6209 Fax: (65) 6774 2010
 Email: sales@halifa-bobo.com Website: www.halifa-bobo.com

