



PRODUCT SPECIFICATION

Product Name

English Name : Fish Paste (Yellow)
Chinese Name : 鱼肉 (黄)

Product Brand

Brand : NIL

Product Descriptions

Colour : Off White Colour
Shape : Semi-Liquid Paste
General : Uncooked Surimi Paste with Savoury Taste

Ingredients / Compositions

Surimi [Fish Meat, Sugar, Egg White Powder, Stabilizer (E451i)], Water, Flavour Enhancer (E621), Salt, Stabilizers (E451 (i), E452(ii), E450(iii))

Allergen Advice

Contains : Fish and Egg

Country of Origin

Product of Singapore / Made in Singapore

Weight / Quantity

Per Piece (+/- 5g) : NIL

Available Packing Size

Net Weight : 1kg/ 2kg per pkt

Packaging Type & Materials

Primary Packaging : 3 Side Seal Nylon/ LLDPE Bag

合利发私人有限公司 HA LI FA PTE LTD
No. 257 Pandan Loop Singapore 128434 Tel: (65) 6773 6209 Fax: (65) 6774 2010
Email: sales@halifa-bobo.com Website: www.halifa-bobo.com





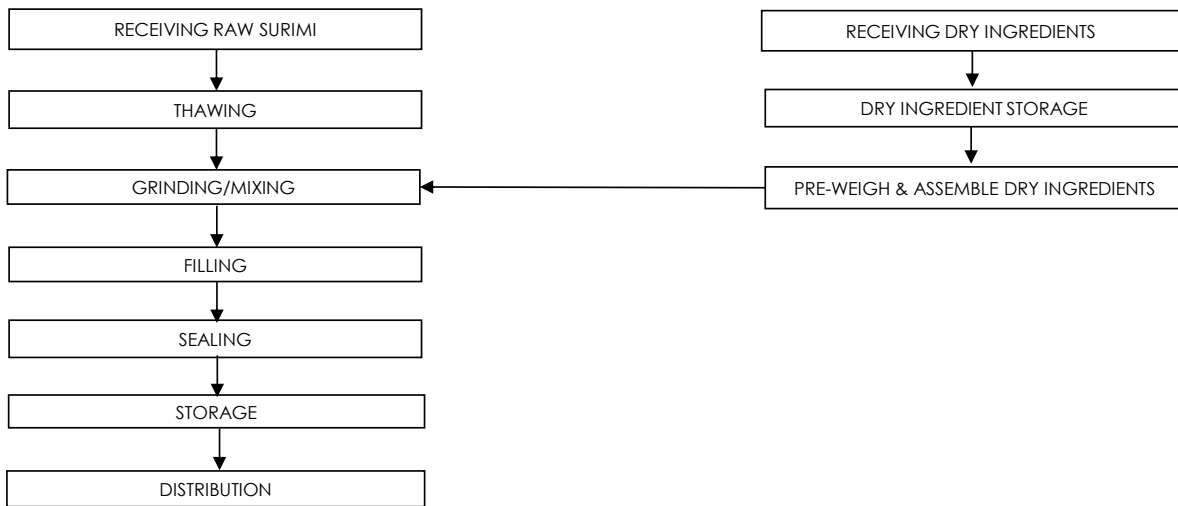
Storage & Distribution / Shelf Life

Storage & Distribution : Chilled, 0°C - 4°C
 Shelf Life : 3 Days
 (cook before consumption)

| Microbiological Specifications | Tolerance Limits |
|--------------------------------|-------------------------|
| Aerobic Count (cfu/g) | < 1.0 x 10 ⁷ |
| Escherichia coli (cfu/g) | < 20 |
| Staphylococcus aureus (cfu/g) | < 20 |
| Salmonella spp | Absent in 25gm |
| Vibrio parahaemolyticus | Absent in 25gm |

| Chemical Specification | Tolerance Limits |
|------------------------|------------------|
| Arsenic, As (ppm) | ≤ 1 |
| Lead, Pb (ppm) | ≤ 2 |
| Mercury, Hg (ppm) | ≤ 0.5 |
| Cadmium, Cd (ppm) | ≤ 1 |

Process Flowchart



Target Consumer

General Public through Retailer

合利发私人有限公司 HA LI FA PTE LTD
 No. 257 Pandan Loop Singapore 128434 Tel: (65) 6773 6209 Fax: (65) 6774 2010
 Email: sales@halifa-bobo.com Website: www.halifa-bobo.com

